

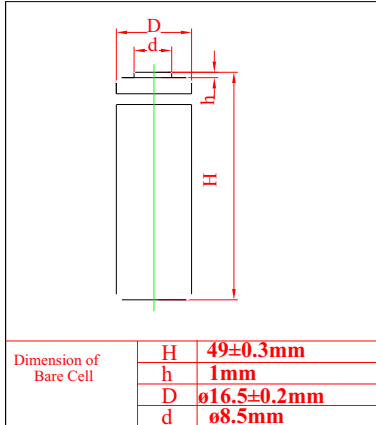


Ni-Cd

BATTERY

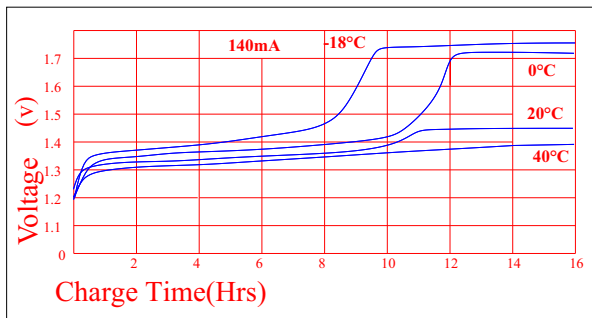
SIZE: TY-A-1400MAH

Specifications

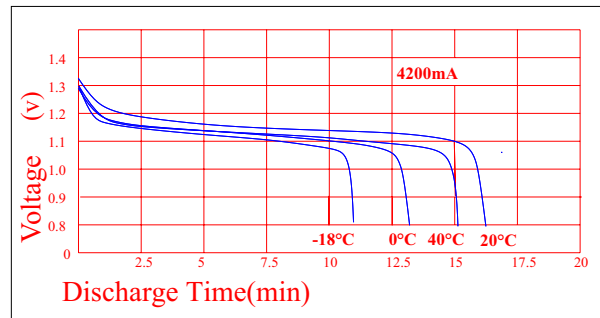


Nominal Capacity	1400mAh			
Nominal Voltage	1.2V			
Cycle life	>500			
Charge	Standard	140mA	15h	0~45°C
	Quick	420mA	5h	5~45°C
	Fast	1400mA	1.1h	10~45°C
Discharge	-20°C~65-20°C			
Storage				
Internal Impedance(AC) (After Charge)	13m ..			
Weight	36g			

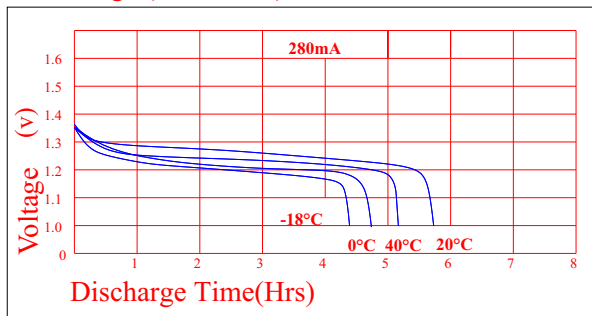
Charge



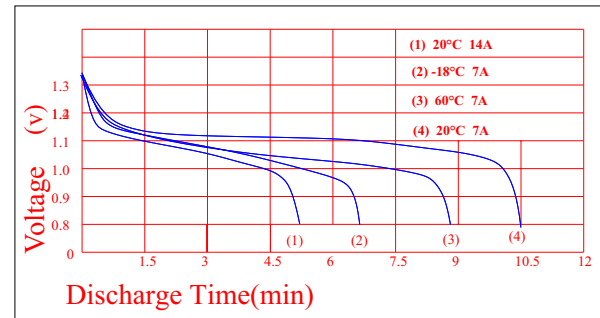
Discharge(at high rate)



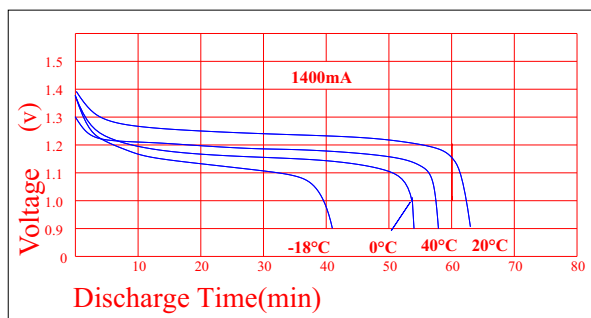
Discharge (at low rate)



Discharge(at high rate)



Discharge(at high rate)



Charge Retention

